
**NXMK**

The NXM housing, entirely made of AISI 316 stainless steel, is designed to operate in special environments such as marine, industrial, chemical and where the external agents are highly corrosive. The NXM housing consists of a 130mm diameter cylindrical body enclosed by two 9mm thick circular flanges. The back flange is equipped with two PG13.5 cable glands for external connections. The NXM can be equipped with an ONXAB1 flange designed to create an air barrier in front of the glass to prevent the formation of dust deposits. With the optional air barrier, the NXFIGRU filter group is recommended, which purifies the air drawn from a compressor.

A wide range of accessories is available, including heater, camera power supply, NXWBS1 stainless steel special bracket, and the possibility of mounting the VIPNX wiper and washer.

The housing can be equipped with a double heater for temperatures down to -40°C (-40°F).

- For special installations
- AISI 316 stainless steel construction
- For highly aggressive environments
- Weatherproof standard IP68


**NXM + VIPNX + NXPTH + NXFWBT + NXWBPTH1**

NXM					
Model	Sunshield	Heater 115/230V AC	Heater 12V DC/24V AC	Double heater 115/230V AC	Max consumption
<b>NXMOD1000B</b>					
<b>NXM1K1000B</b>	•	•			40W
<b>NXM2K1000B</b>	•		•		20W
<b>NXM1K1050</b>	•			•	80W

### TECHNICAL DATA

#### GENERAL

**Made of stainless steel (Austenitic alloy stainless steel, corrosion and heat resistant according to the following standards):**

- UNI 6900-71: X 2 Cr Ni Mo 17 12
- AISI: 316L
- DIN 17006: X 2 Cr Ni Mo 18 10
- N° WERKSTOFF: 1.4404
- AFNOR: Z2 CND 17-12
- BSI: 316 S 12

**The screws utilised are in austenitic alloy stainless steel, corrosion and heat resistant according to the following standards:**

- UNI 6900: X 5 Cr Ni Mo 1712
- AISI: 316
- ISO quality: A4
- Resistance class ISO: 80

Supplied with instruction manual, desiccants bag, accessories for camera and lens mounting

UNI: Ente Nazionale Italiano di Unificazione, AISI: American Iron and Standard Institute, DIN: Deutsche Industrie Normen, AFNOR: Association Française de Normalisation, BSI: British Standard Institution, ISO: International Organization for Standardization

#### MECHANICAL

2xPG13.5 cable glands in nickel-plated brass for external connections

External body polishing

9mm (0.35in) thick front and back flanges

O-ring gaskets

Tempered window glass: 4mm (0.15in) thick, Ø 97mm (3.8in)

External dimensions: Ø 154mm (6in) length 370mm (14.5in)

Internal usable area (BxH): 88x86mm (3.4x3.4in)

Internal usable area with double heater (BxH): 55x100mm (2.2x3.9in)

#### Internal usable length

**NXM** 334mm (13.1in)

#### Internal usable length with heater and/or power supply

**NXM** 245mm (9.6in)

#### Wiper

Wiper blade and enclosure made of AISI 316 stainless steel

Dimensions (ØxL): 100x169mm (3.9x6.6in), not comprehensive of blade

Connector 3+1 pins

IN 230V AC, consumption 7W max

IN 24V AC, consumption 7W max

#### ELECTRICAL

**Heater Ton 15°C +/-3°C (59°F +/-5°F) Toff 22°C +/-3°C (71°F +/-5°F)**

- IN 12V DC/24V AC, consumption 20W max
- IN 115/230V AC, consumption 40W max
- IN 115/230V AC, double heater, consumption 80W max

#### Camera power supply

- IN 100-240V AC - OUT 12V DC, 50/60 Hz, 1A
- IN 230V AC - OUT 24V AC, 50Hz, 400mA

#### ACCESSORIES

<b>ONXMAS6</b>	Sunshield
<b>ONXMH1B</b>	Heater 115/230V AC
<b>ONXMH2B</b>	Heater 12V DC/24V AC
<b>ONXPS1B</b>	Wide range camera power supply IN 100-240V AC - OUT 12V DC
<b>ONXPS2B</b>	Camera power supply IN 230V AC - OUT 24V AC
<b>VIPNX1B</b>	Wiper 230V AC
<b>VIPNX2B</b>	Wiper 24V AC

#### RELATED PRODUCTS

<b>NXWBS1</b>	Wall bracket for stainless steel housing
<b>NXPTH</b>	Stainless steel Pan&Tilt
<b>ONXAB1</b>	Air barrier with tempered glass included
<b>NXFIGRU</b>	Air filtering
<b>VIP5WAS01</b>	Tank 5l, 230V AC washer pump
<b>VIP5WAS02</b>	Tank 5l, 24V AC washer pump
<b>VIP25WAS01</b>	Tank 25l, 230V AC washer pump
<b>VIP25WAS02</b>	Tank 25l, 24V AC washer pump
<b>VIP25WASA01</b>	Tank 25l, 230V AC washer pump, high delivery up 30m
<b>DTWRX</b>	Optional board for remote control of wiper and water pump of the UPTWAS series

#### ENVIRONMENT

Indoor / Outdoor

Submersible up to -50m (-164ft) (5 Bar pressure)

Operating temperature with heater: -20°C / +50°C (-4°F / +122°F)

Operating temperature with double heater: -40°C / + 50°C (-40°F / +122°F)

#### COMPLIANCE TO

##### NXM

CE according to EN 61000-6-3, EN 60065, EN 50130-4

IP68 according to EN 60529 IP66/IPx8 (5 Bar for 48 hours)

##### VIPNX

CE according to EN 61000-6-3, EN 60065, EN 50130-4

IP67

#### SPARE PARTS LIST

<b>ONXMMAN</b>	Maintenance kit NXM housing
<b>OSPAVIPNXMB</b>	Complete wiper blade for VIPNX



**Unit Weight:**  
**NXM** 6kg / 13.3lb  
**VIPNX** 1.7kg / 3.7lb

**Package Weight:**  
**NXM** 10.2kg / 16lb  
**VIPNX** 1.9kg / 4.2lb

**Package Dimensions (BxHxL):**  
**NXM** 29.5x19.5x49cm / 11.6x7.7x19.2in  
**VIPNX** 14.5x15x27cm / 5.7x5.9x10.6in

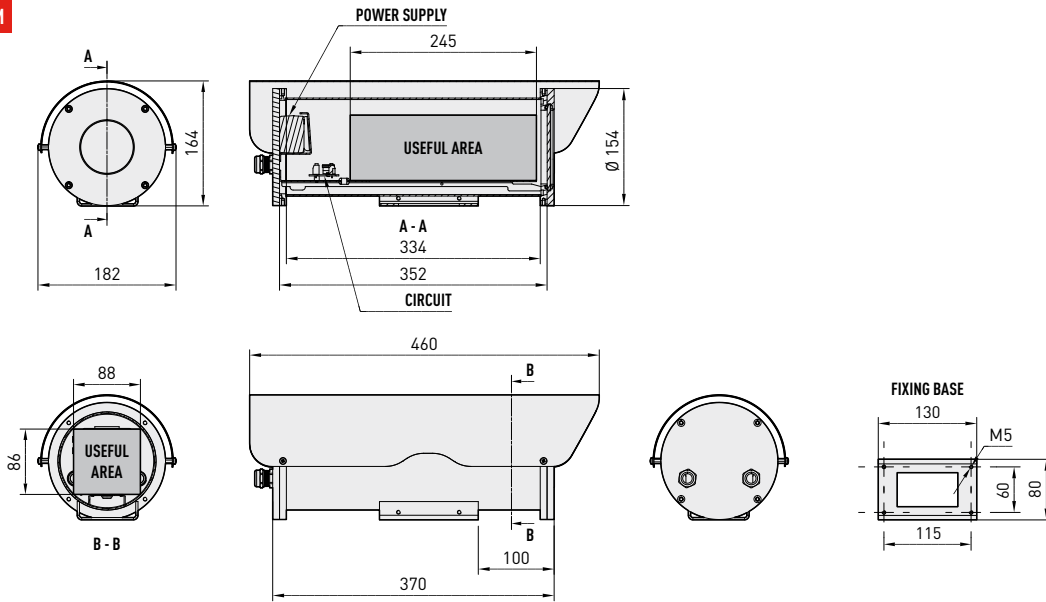
**Master Carton:**  
**NXM** 3 units  
**VIPNX** 15 units

# NXM

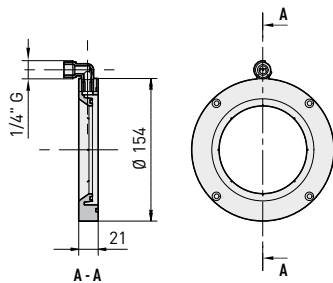
## FOR INSTALLATION IN AGGRESSIVE ENVIRONMENTS



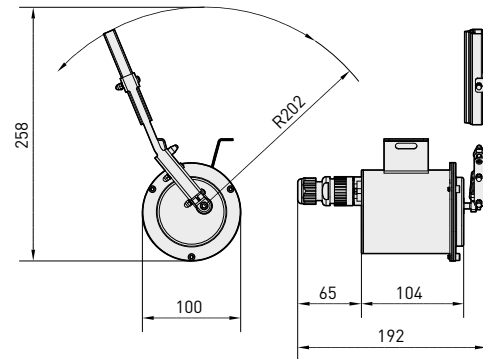
### NXM



### ONXAB1



### VIPNX



The values are in millimeters.

STAINLESS STEEL SYSTEMS

